

Youngstown Auto Wrecking

Mon-Fri (8-5pm) · Sat (8-3pm) · (330) 743-1492

Please fill out the
cutsheet and fax back to:

(330) 349-6831

Recycled Parts Request: **REGULAR CAB TRUCK**

Date: _____

To: _____

Contact Person: _____

Phone #: _____

Year: _____

Model: _____

P.O. #: _____

From: _____

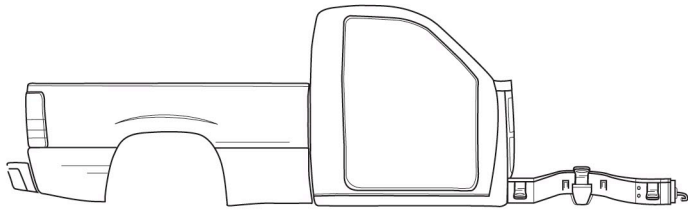
Contact Person: _____

Fax #: _____

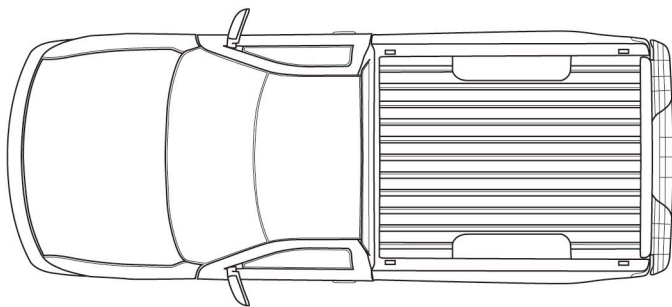
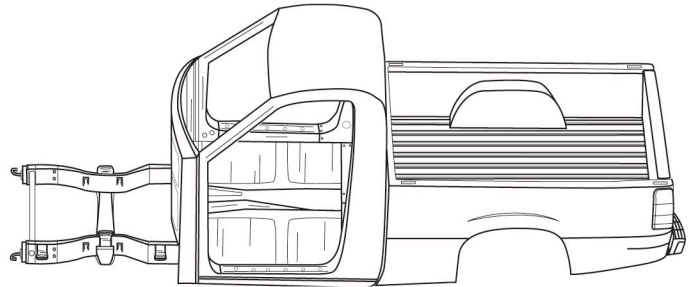
Make: _____

VIN #: _____

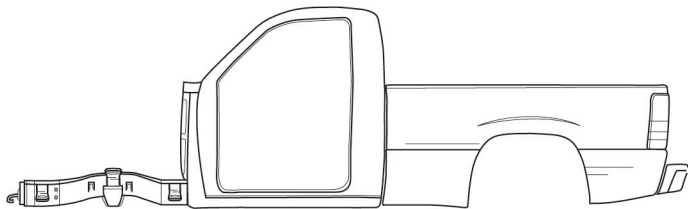
Build Date: _____



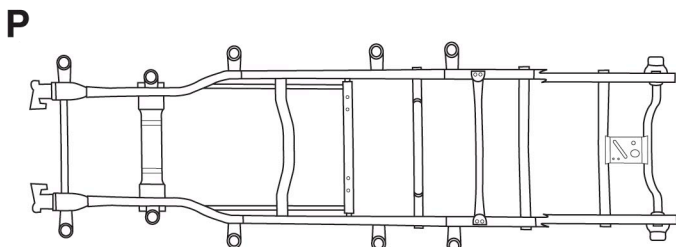
PASSENGER SIDE



TOP VIEW



DRIVER SIDE



TOP VIEW

Please use the area below for a detail of cut instructions:

Notes:
